

MSR213E

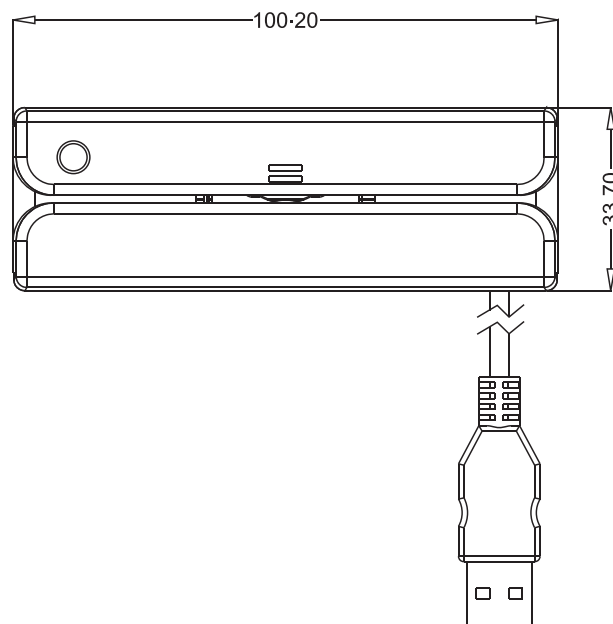
Encrypted Magnetic Stripe Reader



The MSR213E is one of the MSR213 Series of Magnetic Stripe Readers with additional security features of Triple Data Encryption Standard (TDES) encryption and Derived Unique Key Per Transaction (DUKPT) key management. It is powered from the USB port eliminating the need for external power. The MSR213E operates in Keyboard Emulation, Virtual COM Interface and UIC defined Human interface Device (HID) modes.

Features and Benefits

- Card data is encrypted with Triple DES algorithm using DUKPT key management.
- Track data output is masked according to a Mod 10 Correction setting.
- Reads Magnetic Stripe cards conforming to ISO7810 and 7811
- Triple track and support for 75/210bpi recording density
- Read both low and high coercivity cards (300-4000 Oe)
- Bi-directional card swipe
- Supports multiple interfaces (USB HID-MSR, USB HID-KB, USB Virtual-COM)
- Two-frequency coherent phase (F2F) decoding
- Reader status LED and buzzer



Banking



Kiosk



Hospitality

MSR213E

Encrypted Magnetic Stripe Reader

The MSR213E reads all three tracks of the magnetic stripe cards in both directions and fully conforms to ISO 7811, American Association of Motor Vehicle Administrators (AAMVA) and Department of Motor Vehicles (DMV) standards. It has a status LED that is off, green or red based on the status of the reader. There is also a buzzer to further indicate the status of the reader. It is a highly intelligent device that uses flash memory to store keys and has the capability to turn the LED red when all DUKPT keys have been used.

Specifications

MECHANICAL

Body Material:	ABS 94V-0
Dimensions:	100 mm L x 34 mm W x 28 mm H
Weight:	Approx. 4.2 ounces (120 g)
Connector:	Micro USB
Card Handling Method:	Manual swipe, bi-directional

ENVIRONMENTAL

Operating Temperature:	0°C to +60°C
Storage Temperature:	-20°C to +80°C
Operating Humidity:	0-93% relative humidity
Storage Humidity:	0-95% relative humidity

AGENCY APPROVAL

Encryption Algorithm, DES, TDES
 Key Management, DUKPT, Master/Session
 FCC Class B, CE Class B, BSMI Class B.
 Meet PCI DSS requirement



ELECTRICAL

F2F MRD 532 decoder	
Processor:	50MHz 32bits Secure MCU
Memory:	128KB Flash ,96KB sRam, 4MB ultra high speed flash
Magnetic Card Reader:	ISO7811; Triple tracksreading
Power Requirement:	Battery,180mAh lithium battery Micro USB Port, 5v DC-in
Power Consumption:	Operation(Current): 100mA(MAX) Standby(Current): 40mA (MAX) Sleep: less than 10uA
Interface:	Blue Tooth, Micro USB Port

PERFORMANCE

Read Card Format	Track 1: Bit Density 210 bpi Track 2: Bit Density 75 bpi Track 3: Bit Density 210 bpi
Card Types:	Magnetic cards as per ISO7810, 7811
Read Capability:	Magnetic stripe - dual or triple track of low/high coercivity (300~4000 Oe)
Test Card Types	Standard card: Read Speed 5~55 ips Jitter±15%: Read Speed 5~50 ips Amp.60%: Read Speed 5~50 ips
Card Thickness:	Card Thickness: 0.76 ±0.08mm
Error rate:	Error rate: <0.5%
Magnetic Head Life:	Magnetic Head Life: 1 M Swipes

UIC USA

2901 Bayview drive, Fremont, CA 94538, USA
 Tel: 510-438-6799 Fax: 510-438-6790
 info@uicusa.com

UIC Taiwan

1F, No.1, Ln 15, Ziqiang St., Tucheng Dist., New Taipei City 236, Taiwan.
 Tel: 886-2-2268-7075 Fax: 886-2-2269-5686
 salessupport@uniform.com.tw