



GoPay

Secure EMV and Magstripe Card Reader with Bluetooth connectivity and SDK

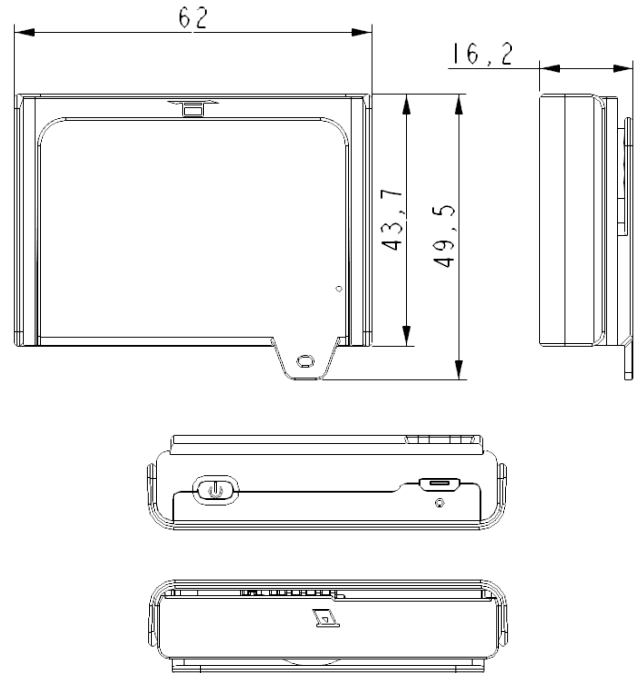
UIC GoPay is a Bluetooth Mobile reader capable of reading EMV and Magnetic Stripe cards. This wireless, compact reader is ideally suited for tablet, mobile, and all other POS applications.

GoPay offers a fast path to MSR/EMV reading with a library that removes the complexity, costs, and shortens the time to market associated with EMV certifications for developers. Our SDK has everything needed to quickly enable mobile payment applications with MSR/EMV payment acceptance.



Features and Benefits

- EMV and magnetic stripe data encryption
- EMV Level 1 and 2 certified with additional L3 certifications from payment processors
- iOS & Android SDKs, documentation & sample code
- Bluetooth 3.0/ 4.0+ EDR compliant
- Supports 3DES encryption algorithms
- Features DUKPT key management
- Bi-directional reading of high and low coercivity magnetic cards conforming to ISO7810 and ISO7811
- Battery powered operation
- Reads EMV cards conforming to ISO7816



Retail



Banking



Parking



Hospitality



GoPay

Secure EMV and Magstripe Card Reader with Bluetooth connectivity and SDK

GoPay's SDK enables you to seamlessly connect your point of sale (POS) and mobile point of sale (mPOS) solutions to all of the major banks, acquirers, and processors while taking your application out of the transaction flow of the EMV certification process. This greatly reduces the time to market process.

Specifications

MECHANICAL

Body Material:	ABS 94V-0
Dimensions:	43.7 mm L x 62 mm W x 16.2 mm H
Weight:	Approx. 20g
Connector:	Micro USB
Card Handling Method:	Magstripe - manual swipe ICC - manual insertion

PERFORMANCE

Read Card Format	Track 1: Bit Density 210 bpi Track 2: Bit Density 75 bpi Track 3: Bit Density 210 bpi
Card Types: Magnetic	Magnetic cards as per ISO7810, 7811
Read Capability:	Magnetic stripe - single, dual or triple track of low/high coercivity (300~4000 Oe)
Test Card Types	Standard card: Read Speed 4~40 ips Jitter±15%: Read Speed 5~35 ips Amp.60%: Read Speed 5~35 ips
Card Thickness:	0.76 ±0.08mm
Error rate:	<0.5%
Magnetic Head Life:	1 M Swipe
IC Card Contact Life:	100,000 cycles minimum

ELECTRICAL

Processor:	72MHz 32bits Secure MCU
Memory:	128KB Flash ,96KB sRam, 4MB ultra high speed flash
Magnetic Card Reader:	ISO7811; Triple tracksreading
Power Requirement:	Battery,180mAh lithium battery Micro USB Port, 5v DC-in
Power Consumption:	Operation(Current): 100mA(MAX) Standby(Current): 40mA (MAX) Sleep: less than 10uA
Interface:	Bluetooth

ENVIRONMENTAL

Operating Temperature:	32°F to 140°F (0°C to +60°C)
Storage Temperature:	-4°F to 176°F (-20°C to +80°C)
Operating Humidity:	0-93% relative humidity
Storage Humidity:	0-95% relative humidity

APPROVAL

FCC Class B, CE Class B.
EMV L1, L2 certified and L3 payment processors



UIC USA

47341 Bayside Parkway, Fremont,
CA 94538, USA
Tel: 510-438-6799 Fax: 510-438-6790
info@uicusa.com

UIC Taiwan

1F, No.1, Ln 15, Ziqiang St., Tucheng Dist.,
New Taipei City 236, Taiwan.
Tel: 886-2-2268-7075 Fax: 886-2-2269-5686
salessupport@uniform.com.tw

UIC Europe GmbH

Daimlerstraße 6, 61449 Steinbach
am Taunus, Germany
Tel: +49 6171 2088 Fax: +49 6171 2088 413
info@uiceurope.com