

HCR335 Series

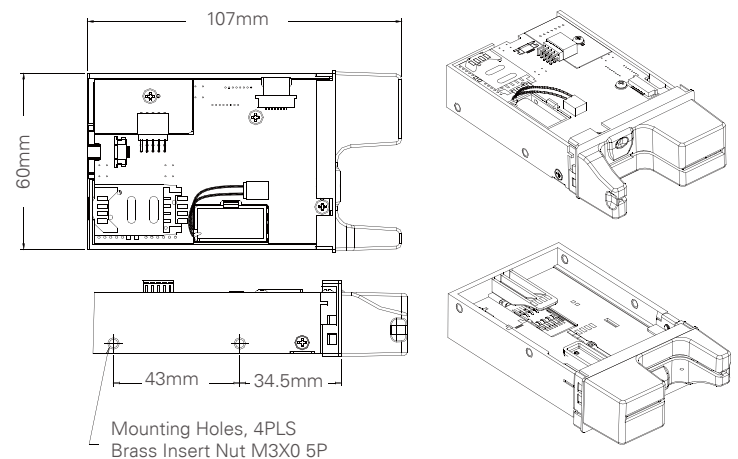
MSR and Smart Chip Hybrid Card Reader

The Hybrid card reader 335 conforms to ISO7811 (magnetic stripe), American Association of Motor Vehicle Administrator (AAMVA) and ISO7816 (smart chip) standards. The smart chip also conforms to Europay, Mastercard, Visa (EMV) Level 1 standard that defines the electrical and physical interface between credit and debit cards and the payment terminal.



Features and Benefits

- EMV Level 1 certified
- Read/write smart cards conform to ISO 7816
- Read magnetic stripe cards conform to ISO 7811, AAMVA
- Support Memory and CPU cards T=1/T=0
- Built-in one SAM (Security Access Module) socket
- IC Card landing contact
- Coin Drop for mis-inserted items
- Card Latching capability
- Auto card ejection while power failure
- Program firmware upgradeable
- Bi-color LED indication
- Optional smart card only model



Retail



Kiosk

HCR335 Series

MSR and Smart Chip Hybrid Card Reader

The HCR335 supports smart card memory and CPU T=1/T=0 and has built in Security Access Module (SAM) socket. It has an IC Card landing contact, coin drop functionality and card latching capability. It comes with the capability to upgrade program firmware and has a bi-color LED status indicator. It is an intelligent reader that can reject a card during power failures. It conforms to FCC Class B, CE Class B, BSMI Class B standards.

Specifications

MECHANICAL

Body Material:	PC +20%GF +6%PTFE
Dimensions:	107L x 62W x 26H mm
Weight:	Approx. 165g (without power adapter)
Card Handling Method:	Manual insertion
Bezels:	PC+GF: B/T/M/A Type Bezel Metal: M/S Type Bezel

ENVIRONMENTAL

Operating Temperature:	-10°C to +50°C
Storage Temperature:	-30°C to +70°C
Operating Humidity:	15% to 90%
Storage Humidity:	10% to 90%

AGENCY APPROVAL

FCC Class B, CE Class B, BSMI Class B

ELECTRICAL

Power Requirement:	+5VDC±5%
Power consumption:	500mA maximum surge current upon solenoid firing
Interfaces:	RS232 (USB optional)

PERFORMANCE

Read Card Format	Track 1: Bit Density 210 bpi Track 2: Bit Density 75 bpi Track 3: Bit Density 210 bpi
Card Types	Magnetic cards as per ISO7810, 7811, AAMVA IC cards as per ISO7816/EMV, PU/Memory card
Read Capability:	Magnetic stripe - single, dual or triple track of low/high coercivity (300~4000 Oe)
Test Card Types	Track 1: Standard card Track 2: Jitter±15% Track 3: Amp.60%
Read Speed	Track 1: 4~40 ips Track 2: 5~35 ips Track 3: 5~35 ips
Card Thickness:	Card Thickness: 0.76±0.08 mm
Error Rate:	Error Rate: < 0.5%
Magnetic Head Life:	500K insertion cycles, 1M insertion cycles optional
IC Card Contact Life:	500K times minimum



UIC USA

47341 Bayside Parkway, Fremont, CA94538, USA
Tel: 510-438-6799 Fax: 510-438-6790
info@uicusa.com

UIC Taiwan

1F, No.1, Ln 15, Ziqiang St., Tucheng Dist., New Taipei City 236, Taiwan.
Tel: 886-2-2268-7075 Fax: 886-2-2269-5686
salesupport@uniform.com.tw

UIC Europe GmbH

Daimlerstraße 6, 61449 Steinbach am Taunus, Germany
Tel: +49 6171 2088 Fax: +49 6171 2088 413
info@uiceurope.com