



nPOS15

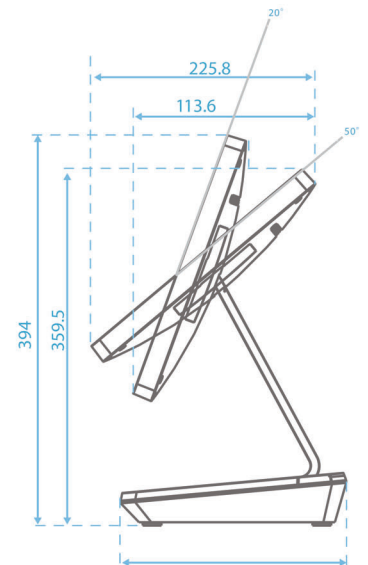
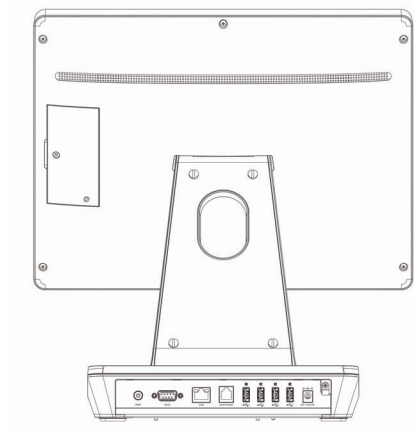
Android Touch Screen POS System



The nPOS15 is designed with a powerful ARM processor that can handle several simultaneous transactions in the shortest time frames possible. It operates using Android 7.1 Operating System and storage capacity of 16 Gbytes or more. It is 15" TFT LCD (LED) display with 4:3 aspect ratio. Its display resolution is 1024 x 768 pixels with visible-light intensity of 250 nits. It comes with a multipoint projected capacitive touch panel screen and has several ports including Ethernet, RJ45, four USB 2.0, WiFi IEEE 802.11 b/g/n and Bluetooth 4.0.

Features and Benefits

- True flat bezel design with multi-points capacitive touch
- Adjustable tilt for easy reading
- Stylish and rugged design
- Android 7.1
- Support PCI SRED EMV L1 & L2 certified payment reader
- Payment reader support PCI SRED, EMV L1 & L2
- Support various MSR & HCR mounting
- Fit all secure downloadable retail APP or web-based application
- WiFi & Bluetooth communication



Hospitality



Retail

nPOS15

Android Touch Screen POS Station

The nPOS15 station can aggregate multiple devices from printer, Pin Pad, barcode reader, keyboard, mouse, and POS peripherals. In addition, it intelligently integrates with downloadable Windows APP or Web-based POS which operates from any Web server. The nPOS15 conforms to Payment Card Industry (PCI) Secure Reading and Exchange of Data (SRED) security and EMV Level 1, Level 2 standards. The nPOS15 is an ideal POS station for all small and mid-sized businesses.

Specifications

SYSTEM

Processor:	i.MX 6 ARM CortexR-A9 Dual Core 1GHz or upper
Memory (RAM):	DDR3 1GB
Ext. Memory:	SD (or micro SD) Card, supported 32GB or above
Standard O/S:	Android 7.1.1 or above
Storage:	16GB Flash

WIRELESS

WiFi:	802.11 b/g/n (Optional)
Bluetooth:	4.0 (Optional)

PANEL

Display LCD:	15" TFT LCD (LED), 4:3
Resolution:	1024 x 768
Brightness:	250 nits
Touch Screen:	Capacitive Touch Panel , 2 points at least

REAR I/O PORTS

Serial Port:	RS-232 x 1. Support 5V/1A or 12V/1A power output
LAN Port:	RJ45 x 1, 10/100 Based-T
USB Port:	USB 2.0 x 4
Cash Drawer Port:	Supported 12V/24V cash drawer x 1 (6P6C)
Audio:	Built-in 1W x 2 stereo

MECHANICAL & ENVIRONMENT

Temperature:	Operating: 0°C to 40°C Storage: -20°C to 60°C
Humidity:	Operating: 10 to 90% Storage: 10 to 90%
Tilt Angle:	20° ~ 50°

PERIPHERALS (Optional)

UIC PIN pad, terminal device, MSR/ICC/SCR payment reader, cash drawer and thermal printer

POWER SUPPLY

Power Adapter:	AC100-240V 50-60Hz , DC 12V 4A , UL/BSMI/CEC6
----------------	---



UIC USA
47341 Bayside Parkway, Fremont, CA 94538, USA
Tel: 510-438-6799 Fax: 510-438-6790
info@uicusa.com

UIC Taiwan
1F, No.1, Ln 15, Ziqiang St., Tucheng Dist., New Taipei City 236, Taiwan.
Tel: 886-2-2268-7075 Fax: 886-2-2269-5686
salessupport@uniform.com.tw



nPOS15-Win2

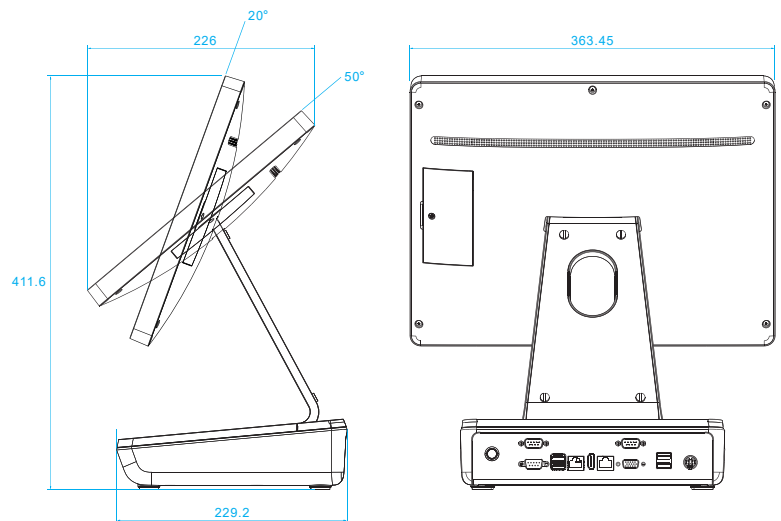
Windows Touch Screen POS System

nPOS15-Win2 offers a highly efficient and reliable payment processing experience with PCI security standards. It is equipped Windows 10 and comes with a 15 inches 1024 x 768 TFT LCD (LED) projected capacitive type multi-point touch screen. Provides versatile connection to all your devices includes Ethernet, RJ45, four USB 2.0 ports and three serial ports.



Features and Benefits

- True flat bezel design with multi-points capacitive touch
- Adjustable tilt for easy reading
- Stylish and rugged design
- Microsoft Windows 10
- Support PCI SRED EMV L1 & L2 certified payment reader
- Support various MSR & SCR mounting (Optional)
- Fit all secure downloadable retail APP or web-based application
- WiFi & Bluetooth communications (Optional)



Hospitality



Retail



nPOS15-Win2

Windows Touch Screen POS Station

The nPOS15-Win2 station can aggregate multiple devices from printer, Pin Pad, barcode reader, keyboard, mouse, and POS peripherals. In addition, it intelligently integrates with downloadable Windows APP or Web-based POS which operates from any Web server. The nPOS15-Win2 conforms to Payment Card Industry (PCI) Secure Reading and Exchange of Data (SRED) security and EMV Level 1, Level 2 standards. The nPOS15-Win2 is an ideal POS station for all small and mid-sized businesses.

Specifications

SYSTEM

Processor:	Intel® Celeron® processor J1900
Memory (RAM):	DDR3L-1333 SO-DIMM, Default 4GB, Max. 8G
Standard O/S:	Win 10 IoT
Storage:	SATA 2.5" Hard Drives (HDD) / Flash Storage (SSD), Default 64G SSD

WIRELESS (Optional built-in)

WiFi:	IEEE 802.11 b/g/n
Bluetooth:	BT 4.0

PANEL

Display LCD:	15" TFT LCD (LED), 4:3
Resolution:	1024 x 768
Brightness:	250 nits
Touch Screen:	Capacitive Touch Panel, 2 points at least

REAR I/O PORTS

Serial Port:	RS-232 x 3
LAN Port:	X2 10/100/1000 Mbps supports
USB Port:	USB 2.0 x 4
Cash Drawer Port:	N/A
Audio:	Built-in 1W x 2 stereo

MECHANICAL & ENVIRONMENT

Temperature:	Operating: 0°C to 40°C Storage: -20°C to 60°C
Humidity:	Operating: 10 to 90% Storage: 10 to 90%
Tilt Angle:	20° ~ 50°

PERIPHERALS (Optional)

UIC PIN pad, terminal device, MSR/ICC/SCR payment reader, cash drawer and thermal printer

POWER SUPPLY

Power Adapter:	AC100-240V 50-60Hz , DC 12V/5A UL/BSMI/CEC6
----------------	--



UIC USA
47341 Bayside Parkway, Fremont, CA 94538, USA
Tel: 510-438-6799 Fax: 510-438-6790
info@uicusa.com

UIC Taiwan
1F, No.1, Ln 15, Ziqiang St., Tucheng Dist., New Taipei City 236, Taiwan.
Tel: 886-2-2268-7075 Fax: 886-2-2269-5686
salessupport@uniform.com.tw