



# UIC680FG

## OEM Contactless Unattended Reader



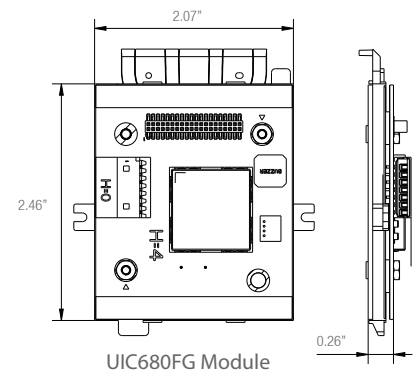
The UIC680FG has become the cashless payment industry's benchmarking product for contactless payment devices. The reader seamlessly integrates into a variety of environments, such as ATM, vending, electrical charge, laundry, parking meter, and many unattended payment kiosk system.

The UIC680FG is certified with contactless payment schemes, such as, Visa PayWave®, MasterCard®, PayPass™, American ExpressPay®, Discover® DPAS, as well as many other mobile wallets.

## Features and Benefits

Available as a finished product with the housing, or as an OEM/ODM modular device for integrated solutions, retaining all certifications.

- IP 65 and IK 07 design
- EMV L1, L2 certification
- Multiple interfaces - TTL, USB, RS232
- Encryption: 3DES, AES, RSA
- Compatible with ISO14443 Type A & B, MiFare, Felica, NFC, ISO15693.
- Ideal for kiosks and unattended payment systems, self-serve pay stations, parking meters, EV charging stations, and airport/car rental self check-in and transit systems.
- Indoor and outdoor applications.
- All in one design with antenna and controller combined into one single unit.
- Ultra slim design to retrofit most existing unattended mechanical housing.



Retail



Vending



Parking



Hospitality



Petroleum



Transportation

# UIC680FG

## Specifications

### HARDWARE

<b>Processor</b>	ARM Processor
<b>Input Voltage</b>	+5VDC +/-10%
<b>Operating Current</b>	Idle Current: 330mA Operation mode:430mA

### MECHANICAL

<b>Weight</b>	0.18 lb. (82 g)
<b>Dimensions</b>	H 2.95 in. (75 mm) x W 2.36 in. (60 mm) x D 0.72 in. (18 mm)
<b>Material</b>	PC, 94V-0

### ENVIRONMENTAL

<b>Operating Temperature</b>	-22°F to +158°F (-30°C to +70°C)
<b>Storage Temperature</b>	-22°F to +176°F (-30°C to +80°C)
<b>Operating Humidity</b>	10% to 85%
<b>Storage Humidity</b>	10% to 90%

### INTERFACES

<b>Communication:</b>	RS232, USB, TTL
-----------------------	-----------------

### RATING

IP 65, IK 07

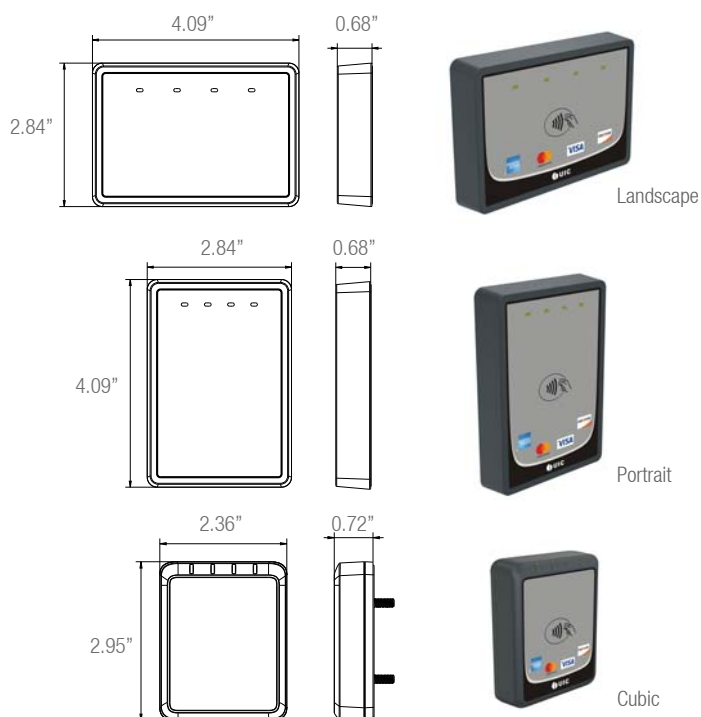
### AGENCY APPROVAL

FCC Class B, CE Class B, CISPR22 Class B  
EMV Contactless Level 1

### CONTACTLESS

<b>Interface</b>	- All layers of ISO14443 Type A&B - Support the ISO18092 NFCIP-1, ISO21481 NFCIP-2, ISO15693 - Support MiFare ( Plus / Classic / Ultralight / DES Fire)
------------------	--

### OPTIONAL HOUSINGS



#### UIC - USA

47341 Bayside Parkway, Fremont,  
CA 94538, USA  
Tel: 510-438-6799 Fax: 510-438-6790  
info@uicworld.com

#### UIC - Taiwan

1F, No.1, Ln 15, Ziqiang St., Tucheng Dist.,  
New Taipei City 236, Taiwan.  
Tel: 886-2-2268-7075 Fax: 886-2-2269-5686  
salessupport@uniform.com.tw

#### UIC - Australia Pty Ltd

38 Ricketty Street, Mascot, NSW  
2020 Australia.  
Tel: +61 2 9078 7808  
saleinfo@uicworld.com