



# UIC680

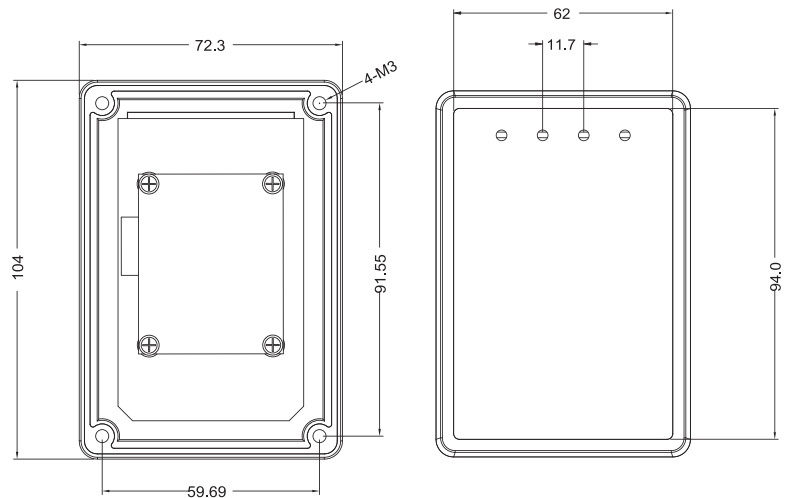
## OEM Contactless Unattended Reader



The UIC680 has become cashless payment industry's benchmarking product for contactless payment devices. The reader seamlessly integrates into a variety of environments, such as kiosk and unattended payment systems. Its inherent plug-and-play feature ensures fast and easy deployment. The UIC680 supports all layers of ISO14443 Type A&B communication scheme and ISO18092 NFCIP-1 standards. It is EMV compliant and supports contactless payment applications with the following: Visa® payWave, MasterCard® PayPass™, American Express® ExpressPay®, Discover® Network Zip.

## Features and Benefits

- Contactless payment and transaction reader
- Ideal for kiosks and unattended payment devices
- Plug-and-play with existing MSR interfaces
- Smallest certified module available
- Certified by major card associations



Retail



Vending



Parking



Hospitality



Petroleum



Transportation



# UIC680

## OEM Contactless Unattended Reader

The UIC680 has an audio response that tells users that their cards has been read eliminating confusion and multiple read attempts. Bright, running LEDs also alert the user that the card is being processed. It communicates using RS-232 and USB ports.

## Specifications

### MECHANICAL

<b>Weight:</b>	0.15 lb. (70 g)
<b>Dimensions:</b>	H 4.09 in. (10.4 cm) x W 2.85 in. (7.23 cm) x D .69 in. (1.75 cm)
<b>Dimensions (w/o bezel):</b>	H 3.27 in. (8.3 cm) x W 2.01 in. (5.1 cm) x D .55 in. (1.39 cm)
<b>Material:</b>	PC, 94V-0

### ENVIRONMENTAL

<b>Operating Temperature:</b>	+14°F to +122°F (-10°C to +50°C)
<b>Storage Temperature:</b>	-22°F to +158°F (-30°C to +70°C)
<b>Operating Humidity:</b>	10% to 85%
<b>Storage Humidity:</b>	10% to 90%

### INTERFACES

**Communication: RS232, USB**

### AGENCY APPROVAL

**FCC Class B, CE Class B**

### ELECTRICAL

<b>Contactless</b>	- All layers of ISO14443 Type A&B communication scheme - Support the ISO18092 NFCIP-1 standard
--------------------	---

### POWER REQUIREMENTS

<b>Input Voltage:</b>	+5VDC+/-10%
<b>Operating Current:</b>	Idle Current: 100mA Operation mode: 250mA

### CERTIFICATION

<b>American Express® ExpressPay®</b>
<b>Discover® Network ZipSM</b>
<b>MasterCard® PayPass™</b>
<b>Visa® payWave</b>

### ACCESSORIES

<b>Bezel</b>
<b>Host interface cables</b>
<b>Power adapter</b>



#### UIC USA

47341 Bayside Parkway, Fremont, CA94538, USA  
Tel: 510-438-6799 Fax: 510-438-6790  
info@uicusa.com

#### UIC Taiwan

1F, No.1, Ln 15, Ziqiang St., Tucheng Dist., New Taipei City 236, Taiwan.  
Tel: 886-2-2268-7075 Fax: 886-2-2269-5686  
salessupport@uniform.com.tw

#### UIC Europe GmbH

Daimlerstraße 6, 61449 Steinbach am Taunus, Germany  
Tel: +49 6171 2088 Fax: +49 6171 2088 413  
info@uiceurope.com