

MSR213 Series

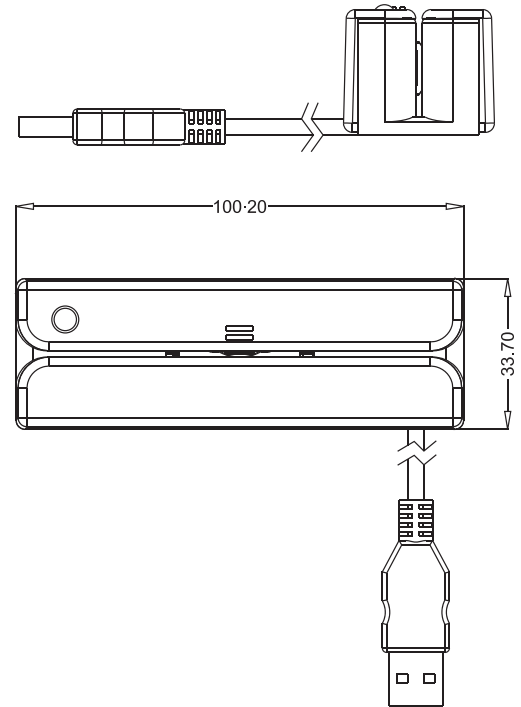
USB Interface Magnetic Stripe Reader



The MSR213 Series USB magnetic stripe readers are ideal for retail, time keeping, security and other card reader related systems. The triple tracks of the MSR213 Series are uniquely designed to read credit/debit/loyalty cards and driver licenses, conforming to ISO 7811, American Association of Motor Vehicle Administrator (AAMVA) and Department of Motor Vehicles (DMV) standards.

Features and Benefits

- Read and convert magnetic stripe data to USB (Virtual COM) or USB HID/USB keyboard interface
- Firmware downloadable
- Read magnetic stripe cards conform to ISO 7811, AAMVA and custom data formats
- Manual swipe, bi-directional with USB interface output
- Read high and low coercivity magnetic stripes (300- 4000 Oe)
- 15KV air ESD protection
- Reliable for over 1M swipes
- LED and beeper for reading status
- **MSR213 V - USB (Virtual COM) keyboard interface**
MSR213 U - USB HID/USB keyboard interface



Retail



Banking



Parking



Gaming



Hospitality



Petroleum



Transportation

MSR213 Series

USB Magnetic Stripe Reader

The MSR213 Series communicates with a host computer via USB interface and reads and converts magnetic stripe data to USB or Human Interface Device (HID) USB keyboard interface. It is manual swipe, bi-directional and reads high and low coercivity magnetic stripes (300 - 4000 Oe). It has built-in capability for firmware download and LED and beeper for reading status.

The MSR213 Series are very reliable, and they are capable of more than a million bidirectional swipes. It fully conforms to FCC Class B, CE Class B, European RoHS standards.

Specifications

MECHANICAL

Body Material:	ABS 94V-0
Dimensions:	100 mm L x 34 mm W x 128 mm H
Weight:	Approx. 4.2 ounces (120 g)
Connector:	USB Type A Plug
Card Handling Method:	Manual swipe, bi-directional

ENVIRONMENTAL

Operating Temperature:	14°F to 122°F (-10°C to +50°C)
Storage Temperature:	-22°F to 158°F (-30°C to +70°C)
Operating Humidity:	10% to 90%
Storage Humidity:	10% to 90%

AGENCY APPROVAL

FCC Class B, CE Class B, European RoHS

ELECTRICAL

Power Requirement:	+5VDC±10% from USB Port
Power Consumption:	35mA max. in normal condition
Interface:	USB HID or USB keyboard emulation interface, Android support

PERFORMANCE

Read Card Format	Track 1: Bit Density 210 bpi Track 2: Bit Density 75 bpi Track 3: Bit Density 210 bpi
Card Types:	Magnetic cards as per ISO7810, 7811, AAMVA
Read Capability:	Magnetic stripe - dual or triple track of low/high coercivity (300~4000 Oe)
Test Card Types	Standard card: Read Speed 5~55 ips Jitter±15%: Read Speed 5~50 ips Amp.60%: Read Speed 5~50 ips
Card Thickness:	0.76 ±0.08mm
Error rate:	<0.5%
Magnetic Head Life:	1 M Swipes



UIC USA

47341 Bayside Parkway, Fremont, CA94538, USA
Tel: 510-438-6799 Fax: 510-438-6790
salesupport@uniform.com.tw

UIC Taiwan

1F, No.1, Ln 15, Ziqiang St., Tucheng Dist., New Taipei City 236, Taiwan.
Tel: 886-2-2268-7075 Fax: 886-2-2269-5686
salesupport@uniform.com.tw

UIC Europe GmbH

Daimlerstraße 6, 61449 Steinbach am Taunus, Germany
Tel: +49 6171 2088 Fax: +49 6171 2088 413
info@uiceurope.com